

OPERATIONS

TIMER ADJUSTMENT

Isolate the power supply. Remove the front cover and the time adjustment position is clearly marked. Insert a fine screwdriver and turn anti-clockwise for less over-run and clockwise for more over-run. Replace front cover BEFORE switching on the power supply.

There may be a delay of up to 15 seconds between the operating switch being turned on and the fan starting.

HUMIDITY ADJUSTMENT

Isolate the power supply. Remove the front cover and the humidity control adjustment position is clearly marked. Insert a small screwdriver and turn anti-clockwise for less sensitivity and clockwise for more sensitivity. Replace front cover BEFORE switching on the power supply.

There may be a delay of up to 15 seconds between the operating switch being turned on and the fan starting.

CLEANING

DISCONNECT THE POWER SUPPLY BEFORE CLEANING

It is important to clean fans annually as regular cleaning helps maintain performance and ensure safe, reliable operation.

The front cover can be removed and washed in warm water with dish washing liquid.

The interior of the fan can be dusted with a soft brush. Do not use water.

On humidity control models, please ensure that no water enter the sensor grille.

WARNING: On models fitted with shutters, please allow up to 1 minute to open and 2 minutes to close after switching the power ON and OFF.

DO NOT FORCE THE SHUTTERS

230v~AC 50Hz

Single Speed 29W

IPX4 RATING

THIS PRODUCT IS DOUBLE INSULATED

FERR#B

FERR#B

Installation Instructions



ES150 150mm AXIAL FANS Window / Wall Fans

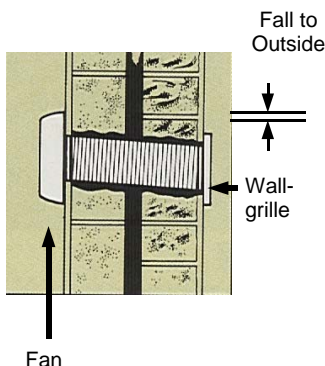
ES150 Window/Wall Fan

These high quality extractor fans are designed to give effective ventilation and in order to achieve this, please read these instructions carefully BEFORE installing the fan unit. Failure to comply with the instructions could reduce the life of the product and may invalidate the warranty.

This product is suitable for use with up to 2 metres of ducting.

FITTING WALL FAN

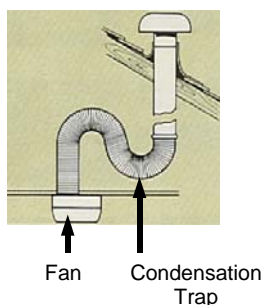
1. Select a suitable position for the fan in relation to outside walls, ceilings and roofs, keeping the ducting as short as possible—see Ducting.
2. Cut a hole in the wall or ceiling to take rear spigot of fan plus ducting if fitted. Drill and plug the fixing holes.
3. Remove the two screws from the front fan casing and take it off.
4. Fix the fan body to the wall using the wall plugs and screws provided.



Note: Fans fitted with pull cord switches are not suitable for ceiling mounting.

DUCTING

1. Bring the ducting to the chosen locations and trim its ends flush to the surfaces.
2. Note that there are 3 basic types of installation and that condensation drainage should be provided as shown. Ceiling location makes drainage provision essential.
3. A small condensation trap should be made at the lowest point of the ducting as shown. It is advisable to lag duct.



WIRING INSTRUCTIONS

WIRING REQUIREMENTS FOR DOMESTIC ELECTRIC FANS

It is recommended that fans be connected into the lighting circuit, with double pole (3mm) isolation provided before the room light switch and suitably fused, in accordance with IEE Regulations.

Window Fans should be connected to power supply using a flexible cord with conductors of between 0.75mm² and 1.5mm² only.

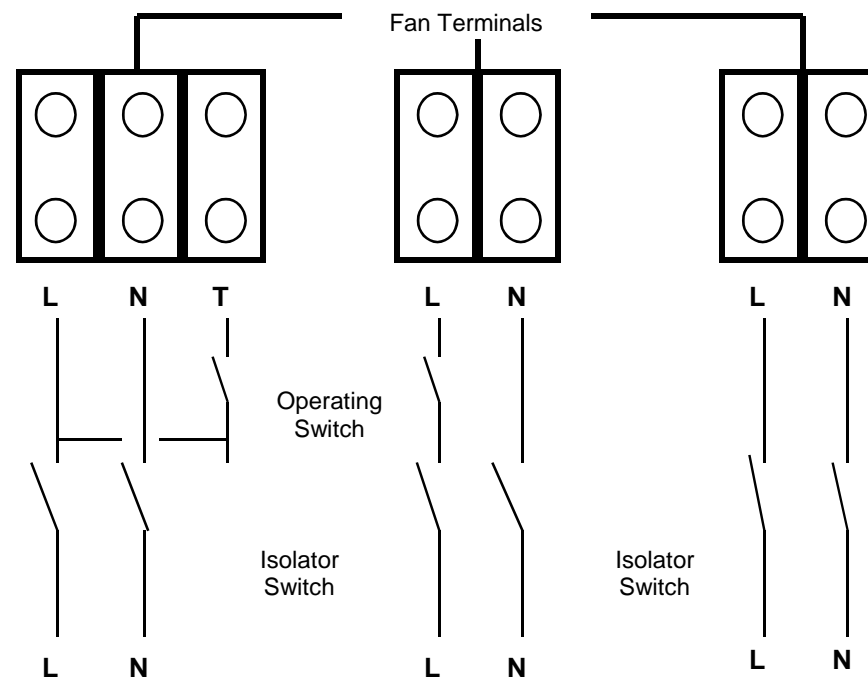
Wall and ceiling mounted fans for fixed wiring should be connected to the power supply via a cable with solid conductors of 1mm² to 1.5mm² only.

IF IN DOUBT CONSULT A QUALIFIED ELECTRICIAN

MODELS
ES150HTS

MODELS
ES150

MODELS
ES150S



**WARNING: ISOLATE ELECTRICITY SUPPLY BEFORE STARTING WORK
DO NOT INSTALL IN SHOWER CUBICLES
MAXIMUM ROOM TEMPERATURE 50° C**